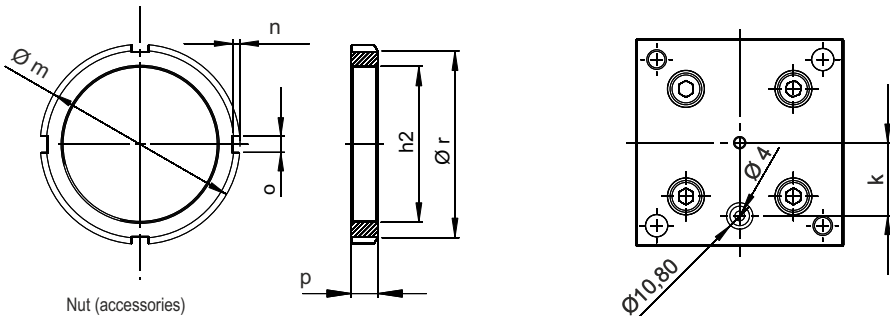


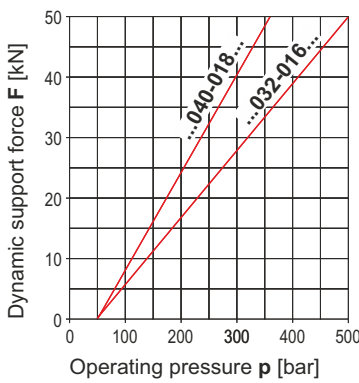
WORK SUPPORTS

threaded body with lower flange plate, pmax. 500 bar

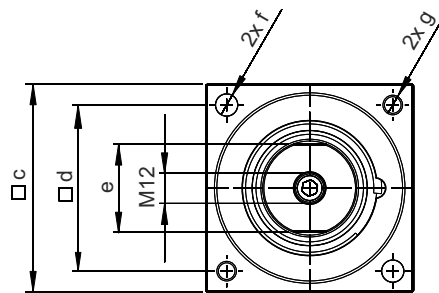
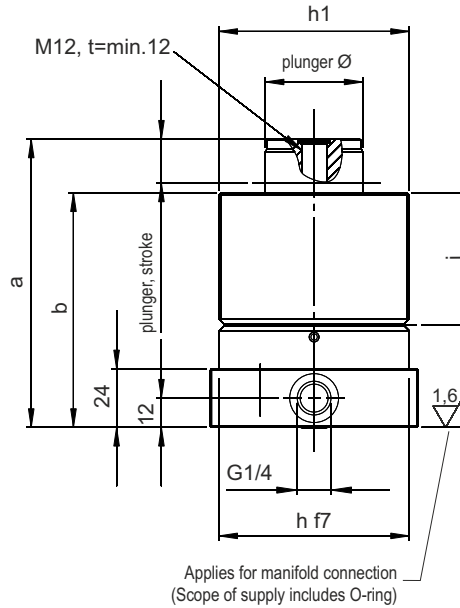
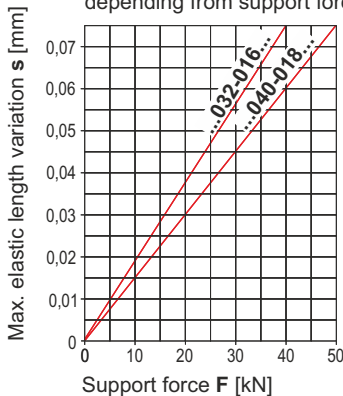


Nut (accessories)
order number below

Permissible support force **F**
depending from operating pressure **p**

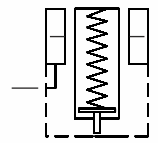


Max. elastic length variation **s**
depending from support force **F**



Webcode: 028010

We also design
and manufacture
special designs



Description:

In these work supports a spring advance the plunger against the workpiece. The spring force can be adjusted by an integrated set screw. Ensure that the workpiece cannot be lifted by the adjusted spring force.

A contact bolt (see data sheet 1000-1) can be screwed into the internal thread for height adjustment. Oil is supplied by a lateral G1/4 threaded port or a manifold connection in the lower flange plate. The hydraulic fixing of the plunger can be combined with the hydraulic clamping of the workpiece or separated.

- Recommended min. pressure: 100 bar
- Max. support force: 60 kN at 500 bar
- Advance force: 40-100 N, stroke depending
- Basic plunger position: extracted
- Plunger retraction: against spring force

Safety instructions:

Transverse forces cannot be absorbed by the work support. Always center load over work support. Clamping force and support force must be matched.

A ventilation line must be connected, if there is a risk of fluid ingress into the work support during machining.

The internal thread of the plunger has to be protected against contamination by a seal plug or screw-in element.

Screw-in elements with a large mass may affect the function of the work support.

Plunger Ø	[mm]	32	40
Plunger, stroke	[mm]	16	18
a	[mm]	112	118
b	[mm]	90	96
c	[mm]	75	85
d	[mm]	57±0,20	68±0,20
e		SW27	SW36
f Ø	[mm]	7	9
g	[mm]	M6	M8
h1	[mm]	M68x2	M78x2
i	[mm]	40	54
k	[mm]	25	30
m Ø	[mm]	85	98
n	[mm]	3	3,5
o	[mm]	7	8
p	[mm]	12	13
h2	[mm]	M68x2	M78x2
r Ø	[mm]	80	92
Weight approx.	[kg]	2,7	3,8
Order no.			
Connection	G1/4 threaded port	ASE-032-16-01-001	ASE-040-18-01-001
Connection	manifold with O-ring	ASE-032-16-01-002	ASE-040-18-01-002
Nut	accessories	4085-073	4098-001

HYDROKOMP®
Hydraulische Komponenten GmbH

Siemensstraße 16, 35325 Mücke (Germany)
Phone: +49 6401 225999-0
Fax: +49 6401 225999-50
E-mail: info@hydrokomp.de
Internet: www.hydrokomp.de